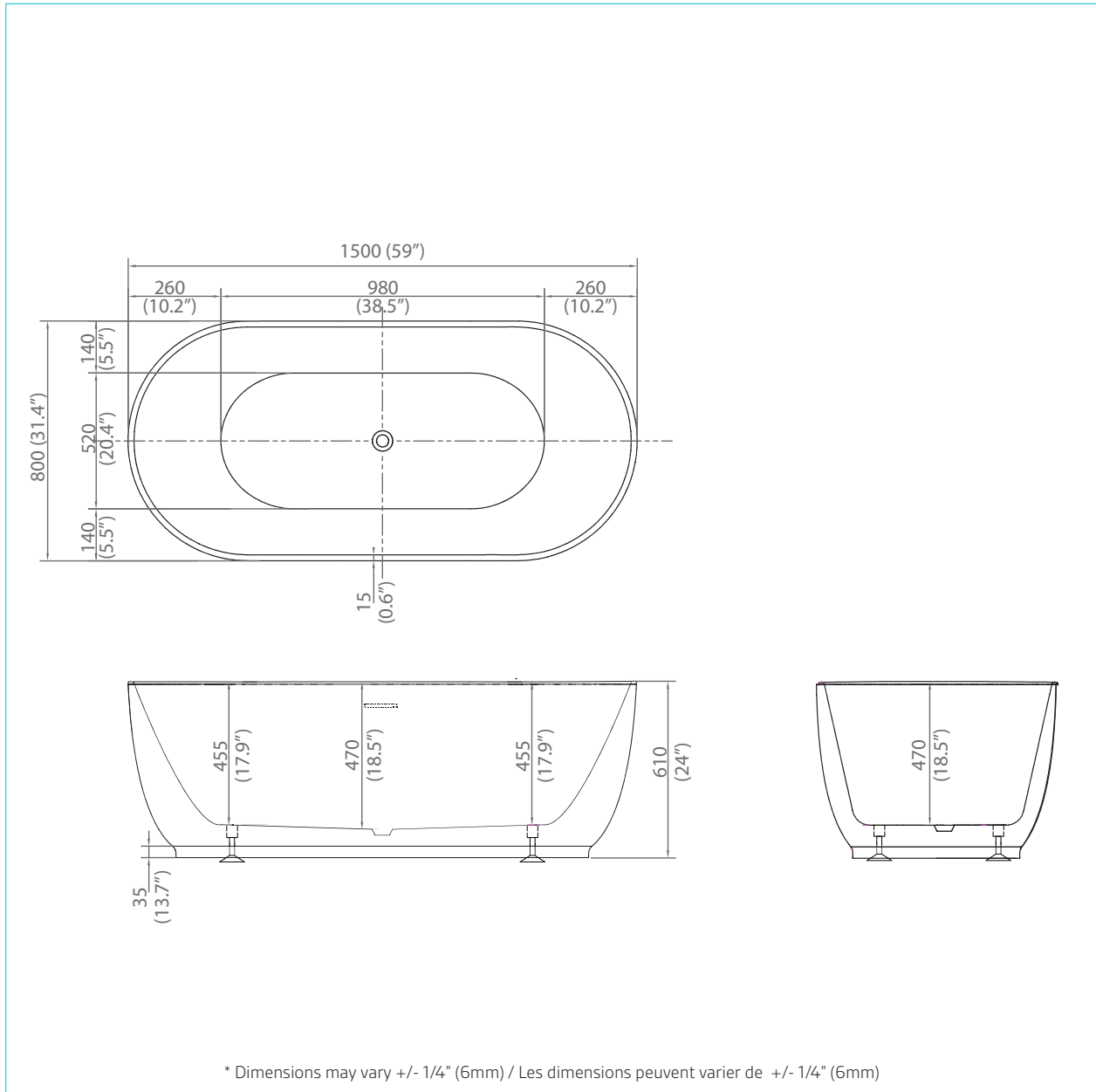




**FREESTANDING
BATHTUBS**

**BAIGNOIRES
AUTOPORTANTES**

BT-700-59-WHT

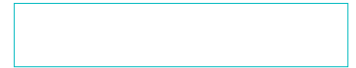


DIMENSIONS		WEIGHT POIDS	MATERIAL MATERIEL	OVERFLOW HEIGHT HAUTEUR DU TROP-PLEIN	WATER CAPACITY CAPACITÉ DE L'EAU
59 x 31.5 x 24" 1500 x 800 x 610 mm		103.6 lbs 47 Kg	Acrylic Acrylique	15.5" 395mm	70 gal 265 lts
FINISH FINITION	DRAIN LOCATION LOCATION DU DRAIN	PIECES PIÈCES	COMPLIANCE CERTIFICATIONS: Uniform Plumbing Code National Plumbing Code of Canada CSA B45.5-17/IAPMO Z124-2017		
Glossy Brillant	Center Centre	1 pc			

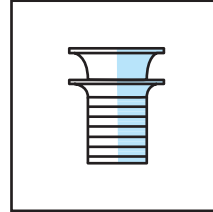


**FREESTANDING
BATHTUBS**

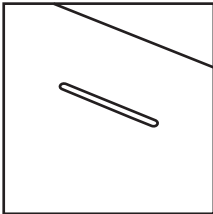
**BAIGNOIRES
AUTOPORTANTES**



Pure acrylic construction reinforced by fiberglass
Construction en acrylique renforcée de fibre de verre



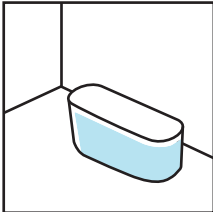
Pop-up drain included
Drain pop-up inclus



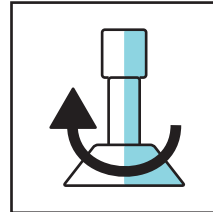
Linear overflow
Trop plein linéaire



cUPC Certified
Certifié cUPC



Freestanding installation
Installation autoportante



Adjustable feet
Pieds ajustables